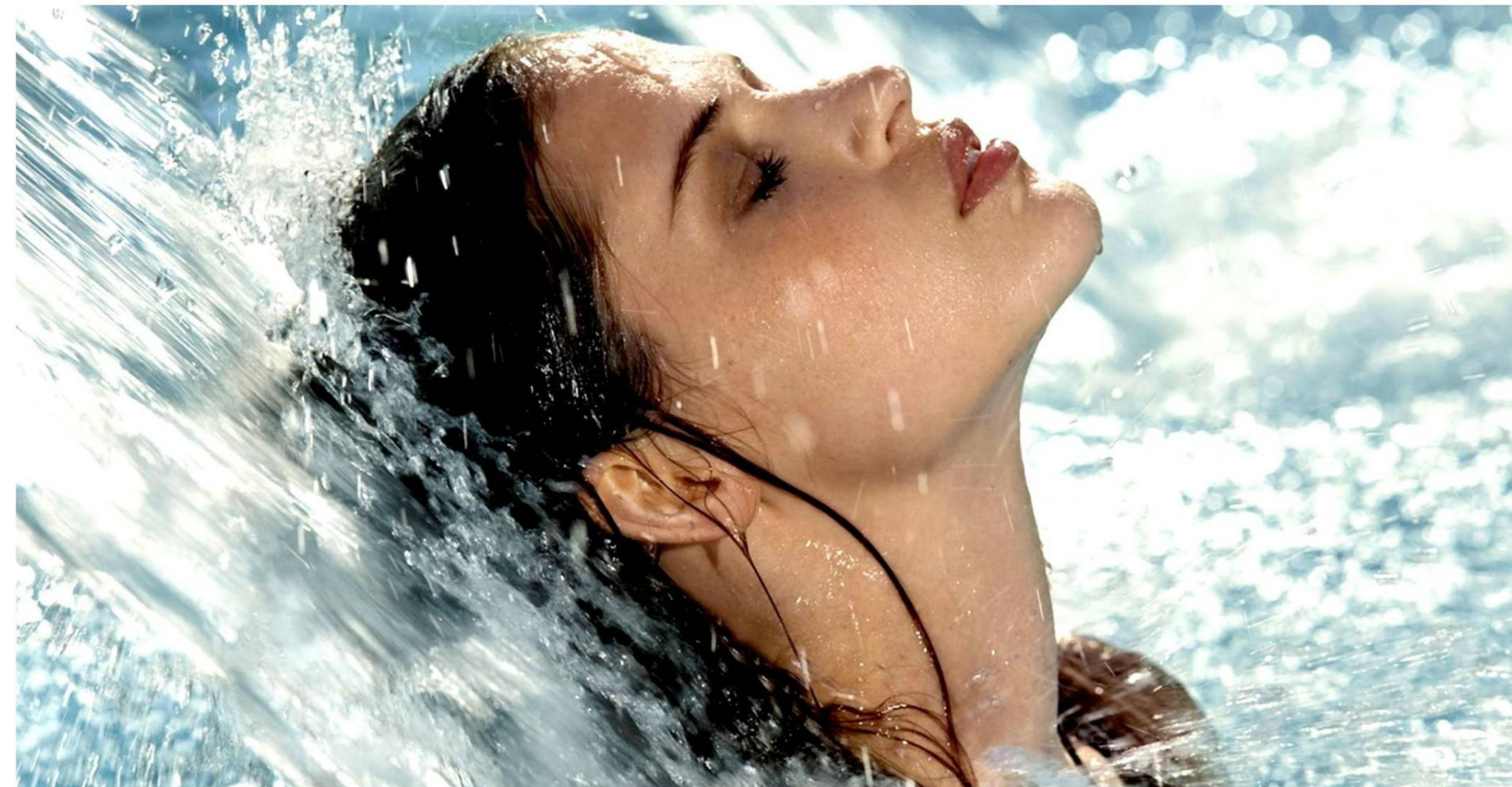


Degaulle Acrylic Counter Current Machine



Address: Room520, 5th floor, Z&Z Plaza, NO.933, Guanghua#1 road, Baiyun Dist. Guangzhou City, China.

Mob/Whatsapp/Wechat:+0086-13922279824

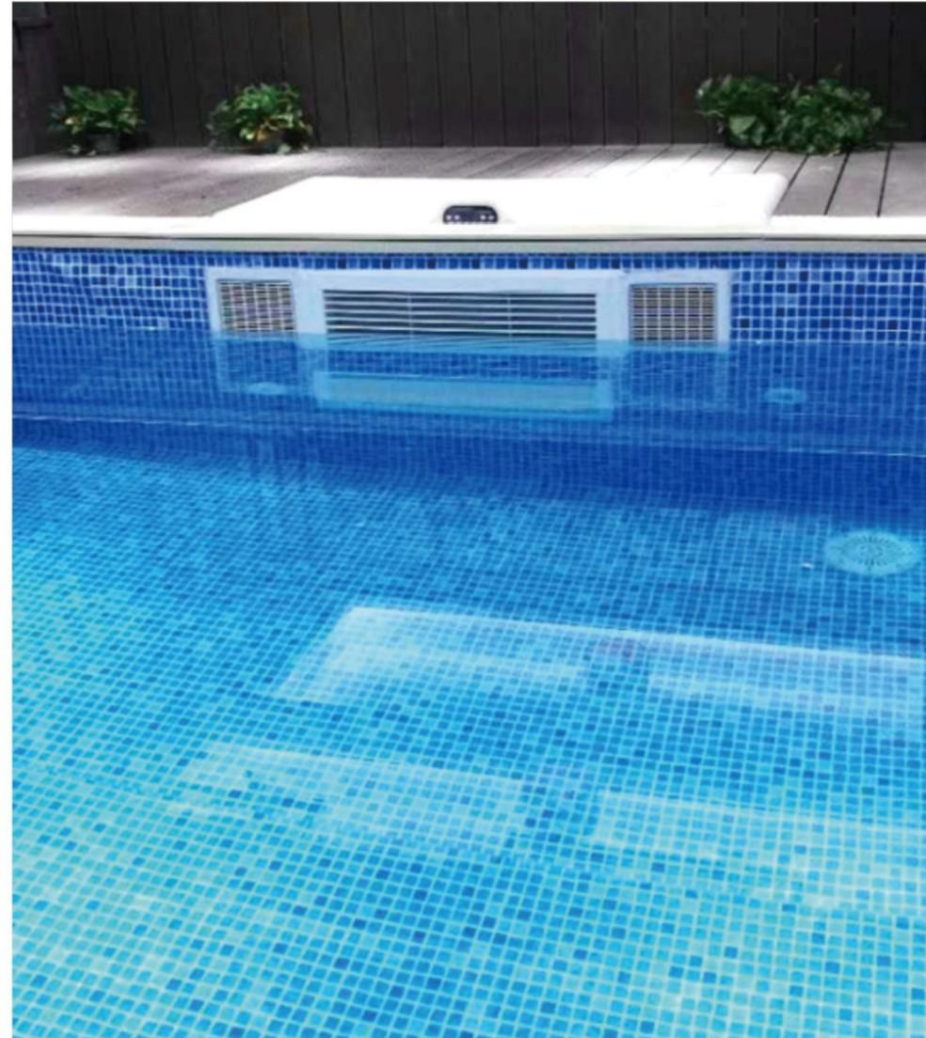
Email:degaullepoools@gzdenor.cn



Degaulle Acrylic Counter Current Machine

Degaulle Acrylic Counter Current Machine adopts a large-area professional outlet. The outlet box includes a laminar water inlet, a honeycomb panel and a water outlet baffle. The unique design of blade and speed setting make it more suitable for swimmer's different speed. Adjust the endless training pool machine to your pace and enjoy swimming in a smooth, without wave, which just like swim in a river so that which is without drowning phenomenon occurs when swimming, swimmers beginners can adjust the intensity of laminar flow propeller, such as turn down to a small flow and learn swimming skills; high-level swimmers and athletes can use the laminar flow of high-flow to train their own speed, strength and endurance, and adjust the flow of the impulse to achieve different purposes and effects.

Acrylic Counter Current Machine with an overall size is 1700x1100x1270mm, and is equipped with ozone sterilization and ultraviolet disinfection. It is applicable to any shapes and sizes of new-build villa swimming pools, residential swimming pools and old swimming pools, swimming pools, etc. In addition to the standard configuration, you can also choose according to the needs of customers. Most of the functions of the machine can be controlled by pressing the keys of the operation panel, which saves the room required for swimming training system and filtration system equipment.



Automatic control, without complex manual operation and control

Acrylic Counter Current Machine adopts support type design, convenient for transportation and installation, the outer shell is made of American acrylic sheet, and the inside and outside of the case are bright and clean. Also, you can control the Counter Current Machine by Intelligent Controller which can save the space and cost of building machine room.



DN-1700



Size: 1700*1100*1270mm	
Water Pump of pool training machine	1pcs*4KW (Siemens with frequency conversion)
Outlet (Aluminum alloy , White)	1pcs
Inlet (Plastic , White)	1pcs
Filter Pump	1set (1.5KW/220V/50Hz~60Hz)
Submersible sewage pump	1set (350W/220V)
Filter paper core	2pcs
Coarse filter and dosing basket	2pcs
Barrier floating debris skimmer	2pcs
Intelligent Controller	1set (12 stalls)
Joint venture acrylic shell	1set



DN-1700UL



Size: 1700*1100*1270mm	
Water Pump of pool training machine	1pcs*4KW (Siemens with frequency conversion)
Outlet (Aluminum alloy , White)	1pcs
Inlet (Plastic , White)	1pcs
Filter Pump	1set (1.5KW/220V/50Hz~60Hz)
Submersible sewage pump	1set (350W/220V)
UV disinfection	1pcs (35W)
Ozone generator	1set (500mg/h)
Filter paper core	2pcs
Coarse filter and dosing basket	2pcs
Barrier floating debris skimmer	2pcs
Intelligent Controller	1set (12 stalls)
Joint venture acrylic shell	1set



Degaulle Acrylic Counter Current Machine can offer 12 stalls for you to adjust the swimming speed, no matter how far and how long you want to swim, Counter Current Machine can do it for you.



Swimming Speed	1 stalls	2stalls	3stalls	4stalls	5stalls	6stalls	7stalls	8stalls	9stalls	10stalls	11stalls	12stalls
Flow Rate (m ³ /h)	100	200	300	400	500	600	700	800	900	1000	1100	1200
m/second	0.25	0.50	0.75	1.00	1.25	1.50	1.75	2.00	2.25	2.50	2.75	3.00
Consume calories/minute	10	20	30	40	50	60	70	80	90	100	110	120

Degaulle Acrylic Counter Current Machine with 12 stalls swimming speed, no matter old man, kids or professional swimmer, they all can find a suitable swimming speed for them. Also Counter Current Machine can offer more safe and more efficient swimming opportunities for professional swimmer.

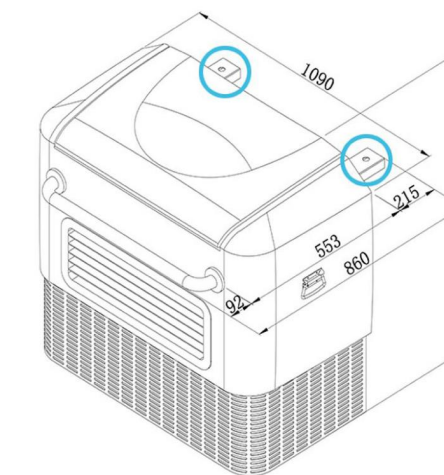


HSM680 Wall Hung Counter Current Machine



The Wall Hung Counter Current Machine is a new-generation swimming machine that can be installed in virtually any new or existing in-ground concrete pool.

1. Refresh pool, bring new life and fun.
2. Easy to install, Wall Hung installation methods only need 4set of screws.
3. Simple operation with control panel.
4. The water flow is smooth and powerful with a 680mm big outlet.
5. There are 8 optional swim speeds for swimmers to choose from.



Swimming Speed	1 stalls	2stalls	3stalls	4stalls	5stalls	6stalls	7stalls	8stalls
Flow Rate (m ³ /min)	71	89	101	113	131	149	167	187

Size:1090*860*920mm	
Max Flow Rate:1200m ³ /h	1pcs
Power:	2.8KW
Voltage:220V/50HZ	1pcs
Outlet Width	680MM
Intelligent Controller	1set(8 stall)
Joint venture acrylic shell	1pcs